



# OWNER'S MANUAL

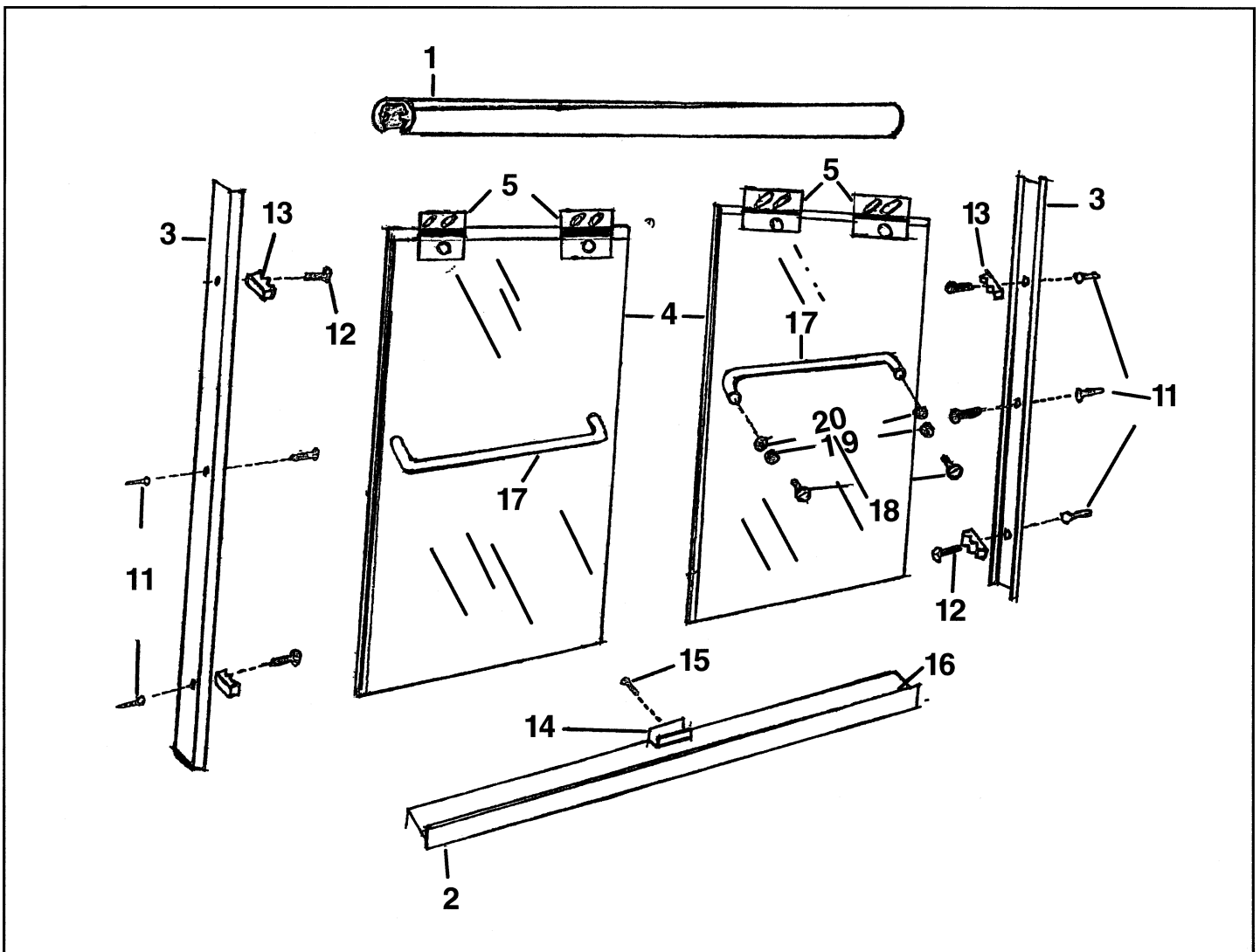
## FRAMELESS BY-PASS TUB/SHOWER DOOR TUSCANY

**IMPORTANT:** Read instructions completely before beginning installation.

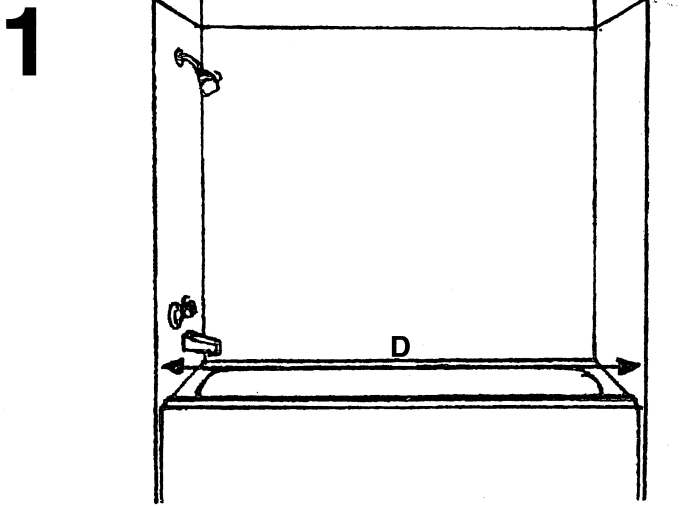
**IMPORTANT:** RECORD THE MODEL NO. OF YOUR SHOWER DOOR. IT IS LOCATED ON THE BOX THAT THE UNIT WAS SHIPPED IN. \_\_\_\_\_

**TOOLS AND MATERIALS NEEDED:**

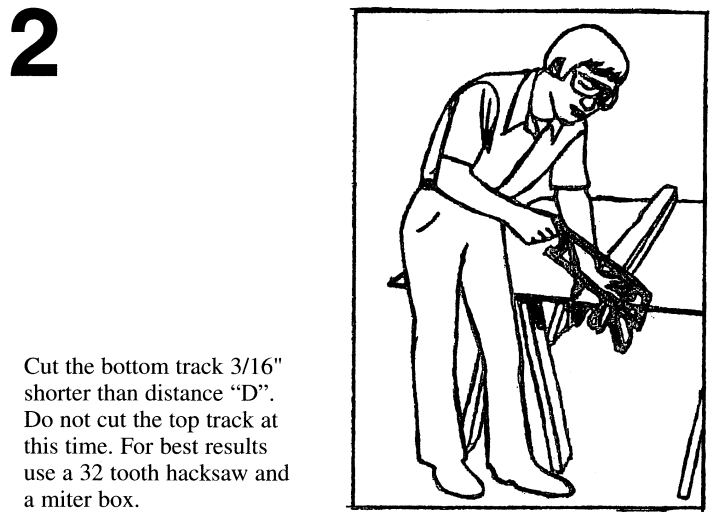
Tape Measure, Electric Drill, Level, Phillips and Standard Screwdriver, Drill Bits (1/8" & 3/16"), 100% Silicone Caulk, Masking Tape.



**\*PROFESSIONAL INSTALLATION RECOMMENDED.\***

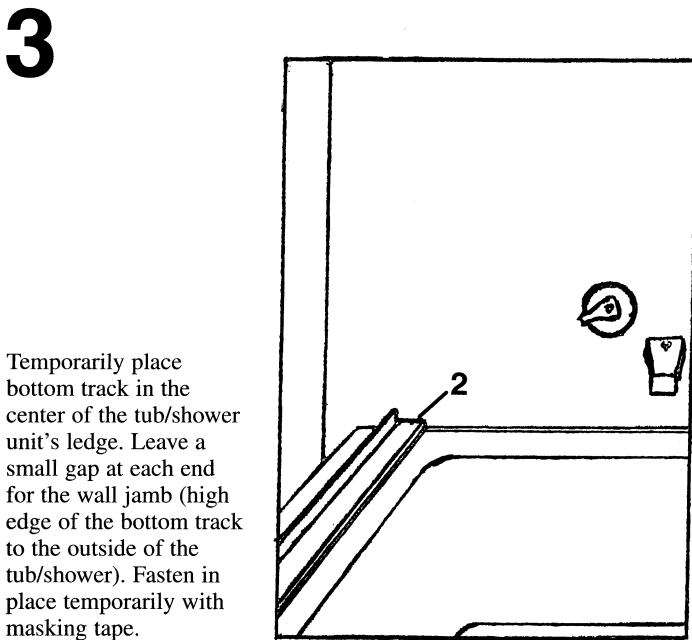


1 Measure the distance "D" in the center of the tub/shower unit's threshold. If a steel tape is used be sure to add the width of the case in the measurement.

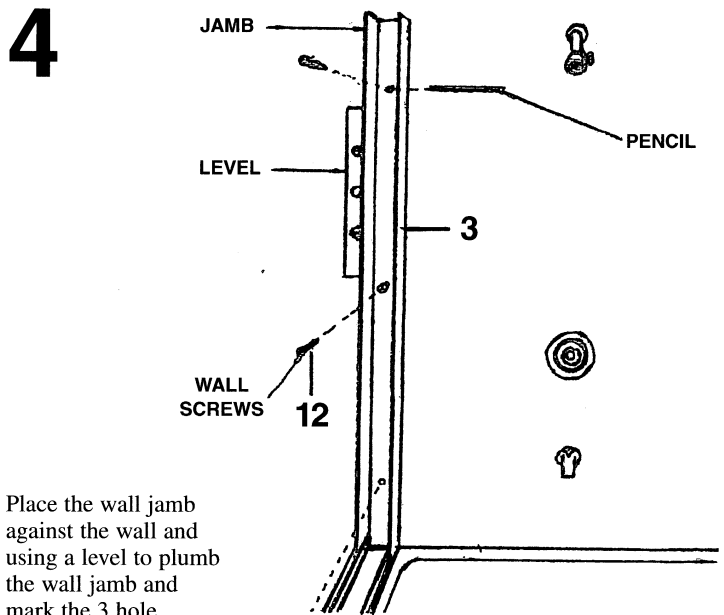


2 Cut the bottom track 3/16" shorter than distance "D". Do not cut the top track at this time. For best results use a 32 tooth hacksaw and a miter box.

*\*Mistakes often occur at this step, be sure to double check your measurements\*.*

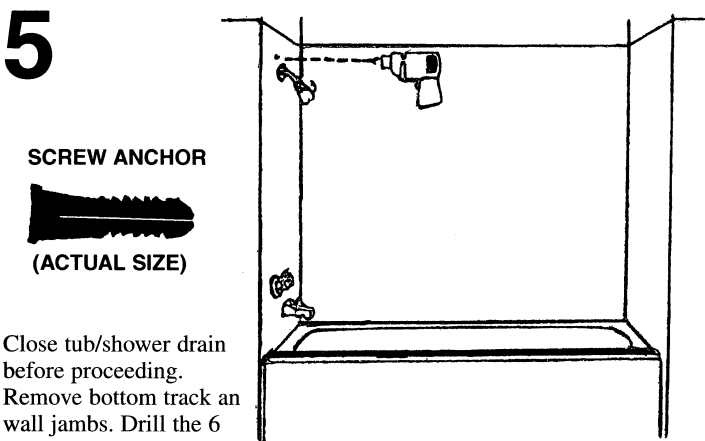


3 Temporarily place bottom track in the center of the tub/shower unit's ledge. Leave a small gap at each end for the wall jamb (high edge of the bottom track to the outside of the tub/shower). Fasten in place temporarily with masking tape.

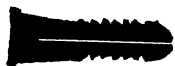


4 Place the wall jamb against the wall and using a level to plumb the wall jamb and mark the 3 hole locations and the position of the bottom track with pencil. Repeat procedure at opposite end of unit with other jamb.

Repeat procedure at opposite end of unit with other jamb.

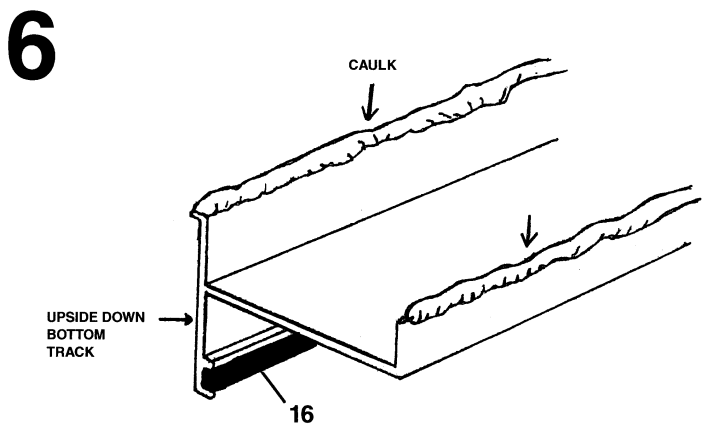


5 **SCREW ANCHOR**



(ACTUAL SIZE)

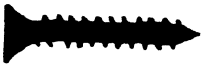
Close tub/shower drain before proceeding. Remove bottom track and wall jambs. Drill the 6 holes you marked. When installing on a fiberglass or plastic unit use a 1/8" drill bit and do not use the plastic screw anchors. When installing on all units other than fiberglass or plastic modules, use a 3/16" drill bit and the plastic screw anchors. In ceramic tile use a masonry drill and nick surface glaze first with a center punch. After you drill your holes, clean tub/shower rim thoroughly to assure proper adhesion of bottom track.



6 Take your bottom track and apply thick beads of caulk to the bottom of your bottom track as shown, and replace on the unit in the marked location.

# 7

WALL JAMB SCREW FOR BUMPERS

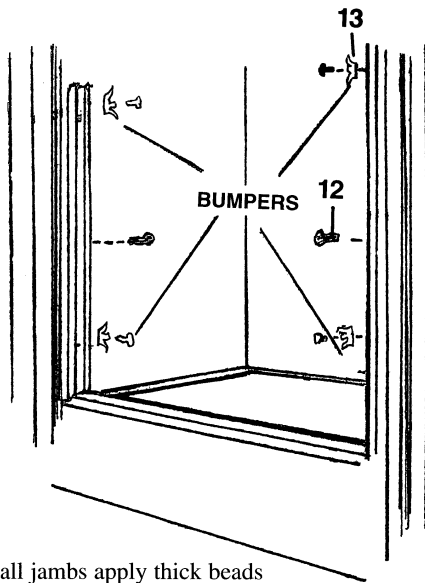


(ACTUAL SIZE)

OTHER WALL JAMB SCREWS

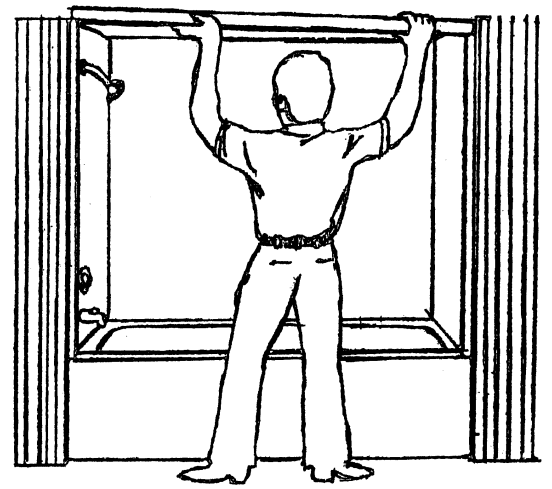


(ACTUAL SIZE)



On the flat side of your wall jambs apply thick beads of caulk then place against the wall and line up with the holes you drilled. Make sure bumpers are installed as shown.

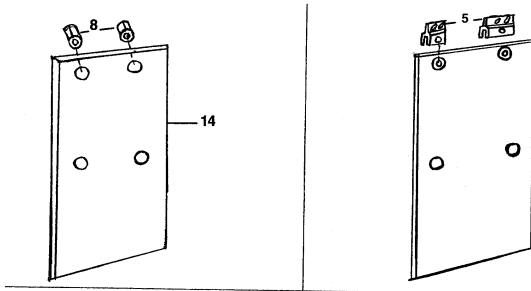
# 8



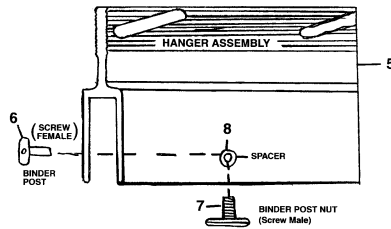
Measure the wall to wall opening at the top of the jambs and cut the header 1/16" shorter than the actual measurement, to allow for clearance. For best results, use a 32 tooth hacksaw blade and a miter box. Then install header over wall jambs.

*\*Double check measurements before cutting.\**

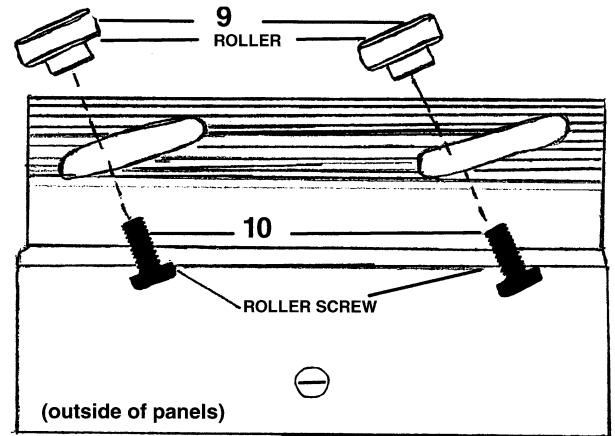
# 9



To attach hanger assemblies, first place plastic grommets in holes at top of glass panels. Then, slide hanger assembly over the glass so that the holes line up. Push binder post through hole. On the opposite side, place binder post nut and tighten using the flat-head screwdriver. The hanger assembly should be able to move slightly. All screw heads should be on the same side.

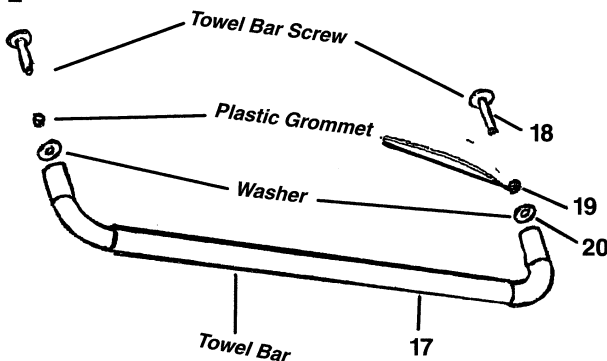


# 10



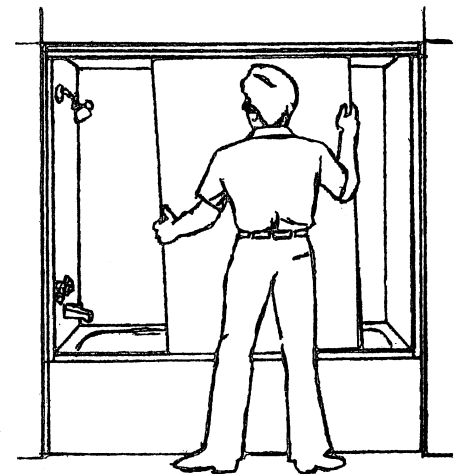
Mount rollers in the center of the slots of the hanger assemblies, the roller screw is on the same side as the towel bar and hanger assembly screw heads.

# 11



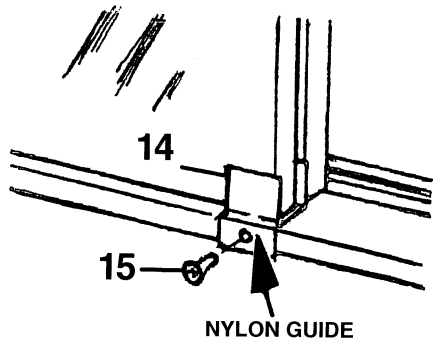
To attach the towel bars, first put the plastic grommets into the holes in the glass. Next, insert screw into grommet. Place a washer on the opposite side of the towel bar. Then tighten using a standard screwdriver. Make sure that both hanger assembly and towel bar screw heads are on the same side. Repeat this step for the other towel bar.

# 12



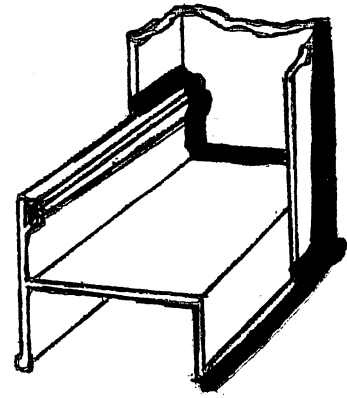
To hang panels, first lay a towel down in the tub/shower unit and set the inside panel on the towel. Be careful not to hit the glass on anything and make sure the glass does not slide when standing inside tub/shower unit. Then take the outside panel and standing on the outside, lift the panel up and inside the header, hanging the rollers on the groove. The towel bar is facing the outside of the shower unit. Then from the inside of the tub/shower install inside panel the same way as the outside panel. Make sure the towel bar is on the inside of the unit. If panels are not parallel to the wall jambs, remove and adjust the rollers in slots.

# 13



At the center of the bottom track, slide the center guide under the inside panel as shown, drill hole with 1/8" drill bit and attach with screw.

# 14



1. Caulk the gap at both ends of the bottom track and wall jamb.
2. Caulk along the inside and outside of the tub/shower door where the metal touches the tub/shower unit, giving your shower door a water tight seal.
3. Allow caulk 24 – 48 hours to dry before using.

## HOW TO ORDER REPLACEMENT PARTS

Always give the following information to your Dealer:

1. Part Name
2. Part Number
3. Part Description  
(Length, Size, Color, etc.)
4. Model Number

KEY NO.	PART NAME	QUANTITY	TUSCANY PART NUMBER
1	HEADER	1	190
2	BOTTOM TRACK	1	1192
3	WALL JAMB	2	EX106
4	GLASS PANELS	2	
5	HANGER ASSEMBLY	4	194
6	BINDER POST (FEMALE SCREW)	4	BP1
7	BINDER POST NUT (MALE SCREW)	4	BPN1
8	HANGER ASSEMBLY GROMMET	4	SPACER 3/8
9	ROLLER (BLACK)	8	E9004 BLACK
10	ROLLER SCREWS	8	832-12
11	SCREW ANCHORS	6	PAS-1
12	MTG. SCREW	6	81-P
13	WALL BUMPER	4	WB1 3/8
14	CENTER GUIDE	1	CF1 3/8
15	CENTER GUIDE SCREW	1	
16	BOTTOM TRACK WIPER STRIP	1	BTW1
17	TOWEL BAR	2	T1198
18	TOWEL BAR SCREW	4	T1198 BOLT
19	TOWEL BAR GROMMET	4	TBG
20	TOWEL BAR WASHER	4	TBW

### HOW TO CARE FOR YOUR ENCLOSURE

Never use scouring powder, pads or sharp instruments on metal or glass panels. An occasional wiping down with a mild detergent diluted in water is all that is needed to keep the panels and anodized aluminum parts looking new. The use of squeegee following each shower is recommended to eliminate water spots on the inside of the glass panels.



**Shower-Rite Division**  
 7519 South Greenwood Avenue  
 Chicago, IL 60619  
 (773) 483-5400 or  
 (800) 925-9131  
 FAX: (773) 483-5409  
 www.showerite.com