



OWNER'S MANUAL

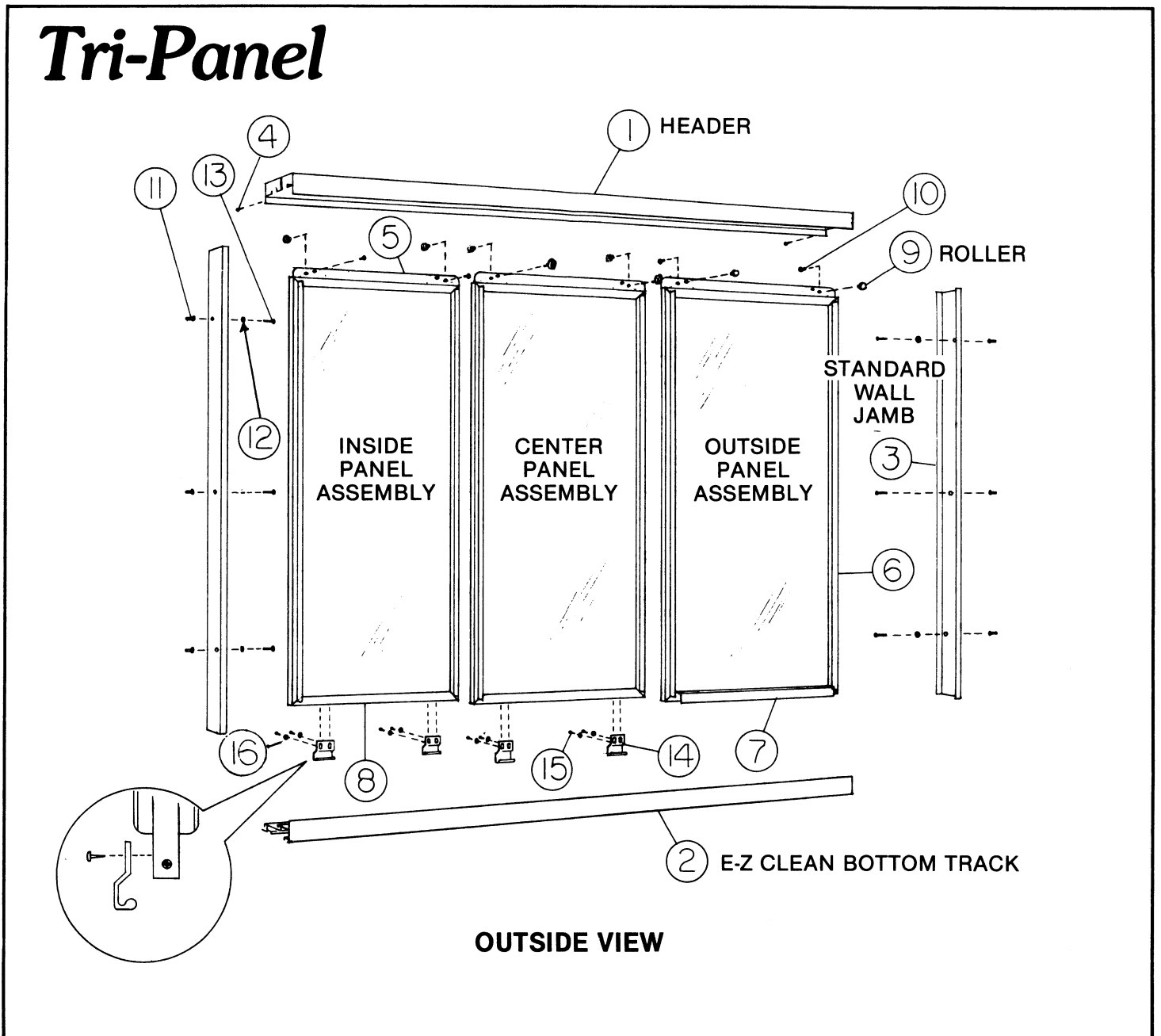
TRI-PANEL TUB & SHOWER DOOR

IMPORTANT: Record the Model No. (see carton) of your tub door for future reference. Model No. _____

READ THE INSTRUCTIONS CAREFULLY, familiarize yourself with all the parts as shown in the exploded view. The exploded view will also provide a helpful reference when relating the location of the various parts and how they are mounted.

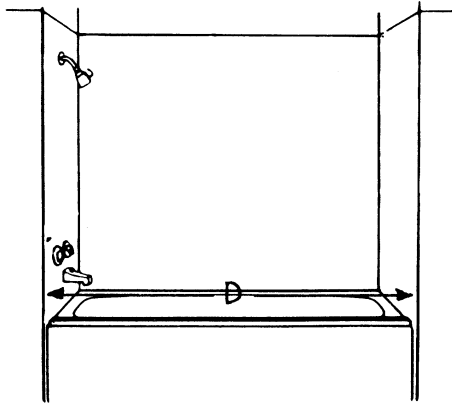
TOOLS AND MATERIALS NEEDED:

Tape Measure, Electric Drill, Level, Phillips and Flat Screwdrivers, Drill Bits (1/8" & 3/16"), Hacksaw, Silicone Caulk, Masking Tape.



installation

1



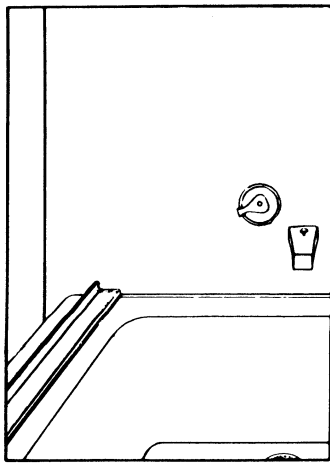
Measure distance D in the center of the tub ledge (if a steel tape is used, be sure to add the width of the case to the measurement).

2



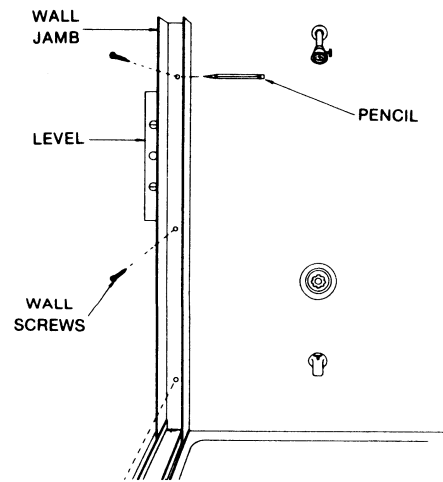
Cut bottom track 1/4" shorter than distance "D". Do not cut top track at this time. For best results use a 32 tooth hacksaw blade and a miter box.

3



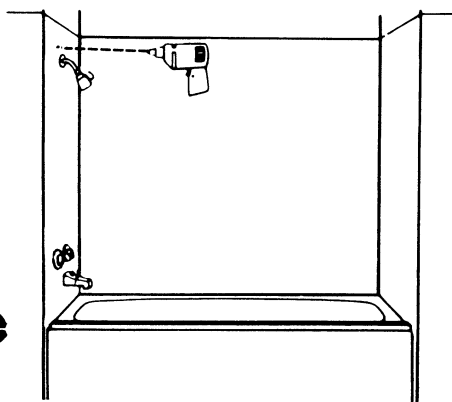
Temporarily place bottom track in the center of the ledge leaving small gap at each end for the wall jamb (high edge to the outside of tub). Fasten in place temporarily with masking tape and mark its position with a pencil.

4



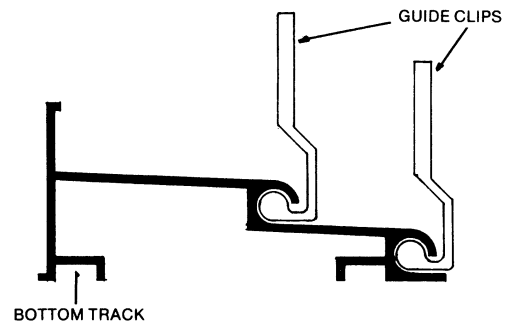
Use a level to plumb the wall jamb as shown and mark the 3 hole locations. Repeat procedure at opposite end of unit with other jamb. Close tub drain before proceeding.

5

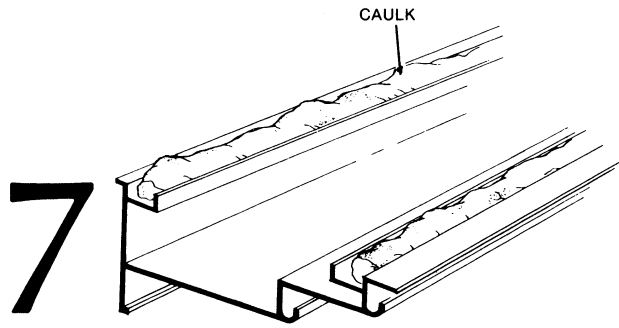


Remove bottom track and drill 3/16" holes for screw anchors. (In ceramic tile use a masonry drill and nick surface glaze first with a center punch.) Insert screw anchors provided. After drilling, clean tub rim or stall threshold thoroughly to assure proper bonding of bottom track adhesive.

6



Insert two panel guide clips into each of the grooves of the E-Z Clean bottom track.



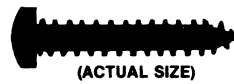
7

TURN OVER BEFORE REPLACING

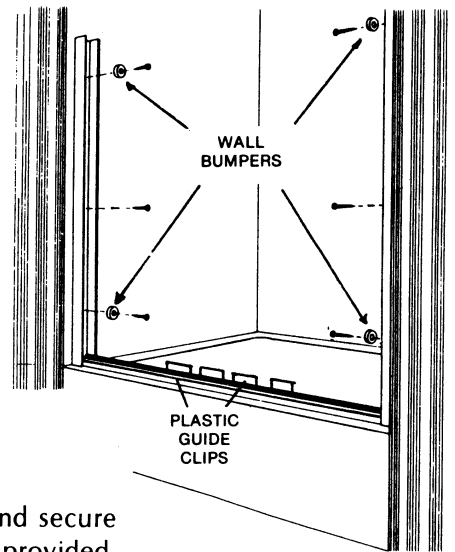
With the guide clips inserted in the grooves, apply thick beads of caulking to bottom of bottom track as shown, and replace on unit in marked location.

NOTE: The high edge of the bottom track should be placed to the outside edge of the shower or tub.

WALL JAMB SCREW



8



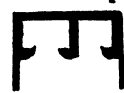
Install wall jambs and secure with wall screws provided. Make sure wall bumpers are installed as shown.

9

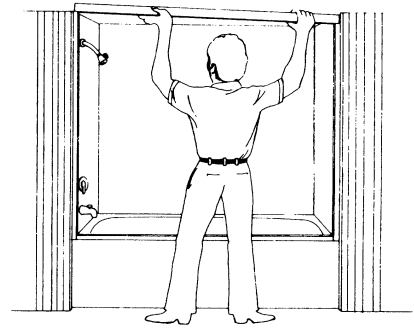


Measure the wall to wall opening at top of jambs and cut the header 1/16" shorter than the actual measurement to allow for clearance. For best results, use a 32 tooth hacksaw blade and miter box.

OUTSIDE



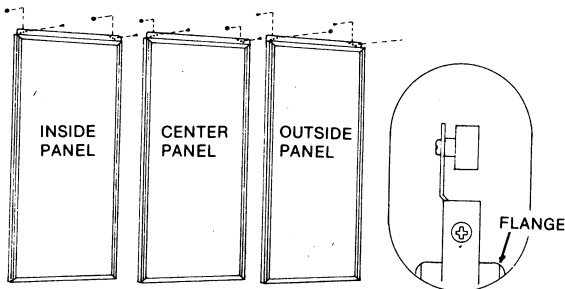
10



(ACTUAL SIZE)

Install Header over each top end of wall jambs as shown. Drill a 1/8" hole through the header and into the wall jamb from the inside at each end (1/4" from the wall). Fasten header to wall jambs with screws provided.

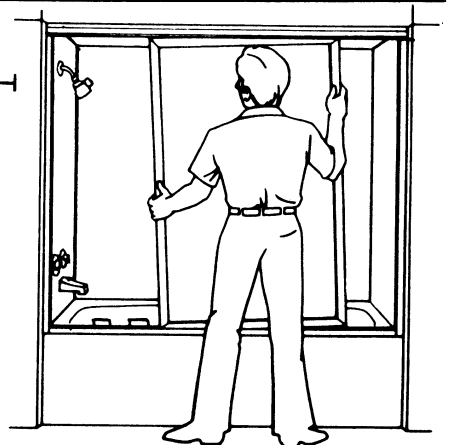
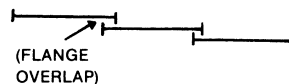
11



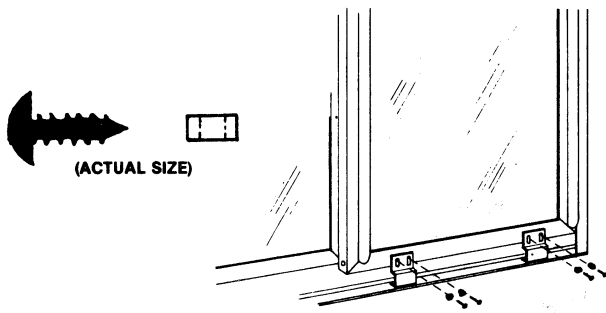
Mount nylon rollers in the upper holes on top of each door as shown. The other hole is for adjustment in case of out-of-plumb walls.

12

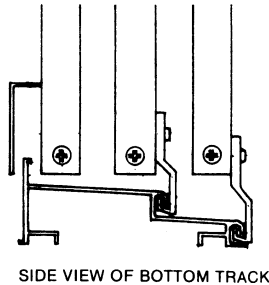
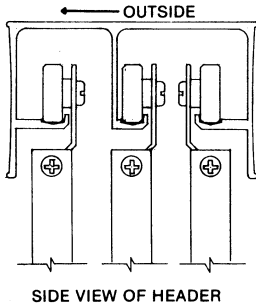
TOP VIEW OF PANELS



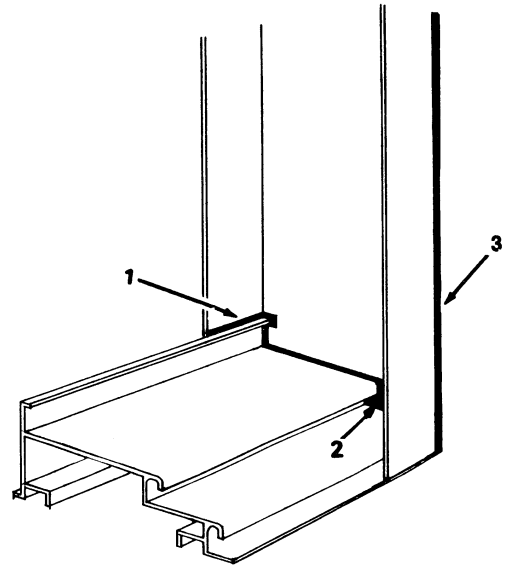
Install the outside panel first, farthest from the showerhead, fitting the bottom track guide over the high edge of the E-Z Clean bottom track. Next, install the center panel (it has the higher four holes in the bottom frame) making sure the flanges overlap (see drawing). Finally, install the inside panel (with lower four holes in the bottom frame) with the flanges overlapping those of the center panel flanges.



13



14



After panels are in place, attach the four panel guide clips to the inside and center panels with screws provided. Dip ends of screws in soap for easier insertion. Insert screws into grommets before attaching. Do not overtighten screws.

1. Caulk the gap at both ends of the bottom track wall jambs. 2. Completely fill in the guide slots on the ends only. 3. Caulk along the inside of wall jamb.

how to order replacement parts:

Always give the following information to your Dealer:

1. Part Name
2. Part Number
3. Part Description (Length, Size, Color, etc.)
4. Model Number

Key No.	Part Name	Part No.
1	HEADER	1330
2	E-Z CLEAN BOTTOM TRACK	1332
3	WALL JAMB	EX-107
4	MTG. SCREW - HEADER	838-PP
5	TOP FRAME	1334
6	SIDE FRAME	1333
7	BOTTOM FRAME (outside)	1395-0
8	BOTTOM FRAME (inside)	1395
9	ROLLER	E9004
10	SCREW - ROLLER	832-12
11	SCREW ANCHOR	PSA-1
12	WALL BUMPER	7714
13	MTG. SCREW - WALL JAMB	81-P
14	PANEL GUIDE CLIP	PG-1
15	MTG. SCREW - GUIDE CLIP	838-GS
16	GROMMET	G-1



Shower-Rite Division

7519 South Greenwood Avenue
 Chicago, Illinois 60619
 (773) 483-5400 or
 (800) 925-9131
 FAX: (773) 483-5409

HOW TO CARE FOR YOUR ENCLOSURE

Never use scouring powder, pads or sharp instruments on metal or glass panels. An occasional wiping down with mild detergent diluted in water is all that is needed to keep the panels and anodized aluminum parts looking new. The use of squeegee following each shower is recommended to eliminate water spots on the inside of the glass panels.