



OWNER'S MANUAL TRYTON & PACER HINGED SHOWER DOOR

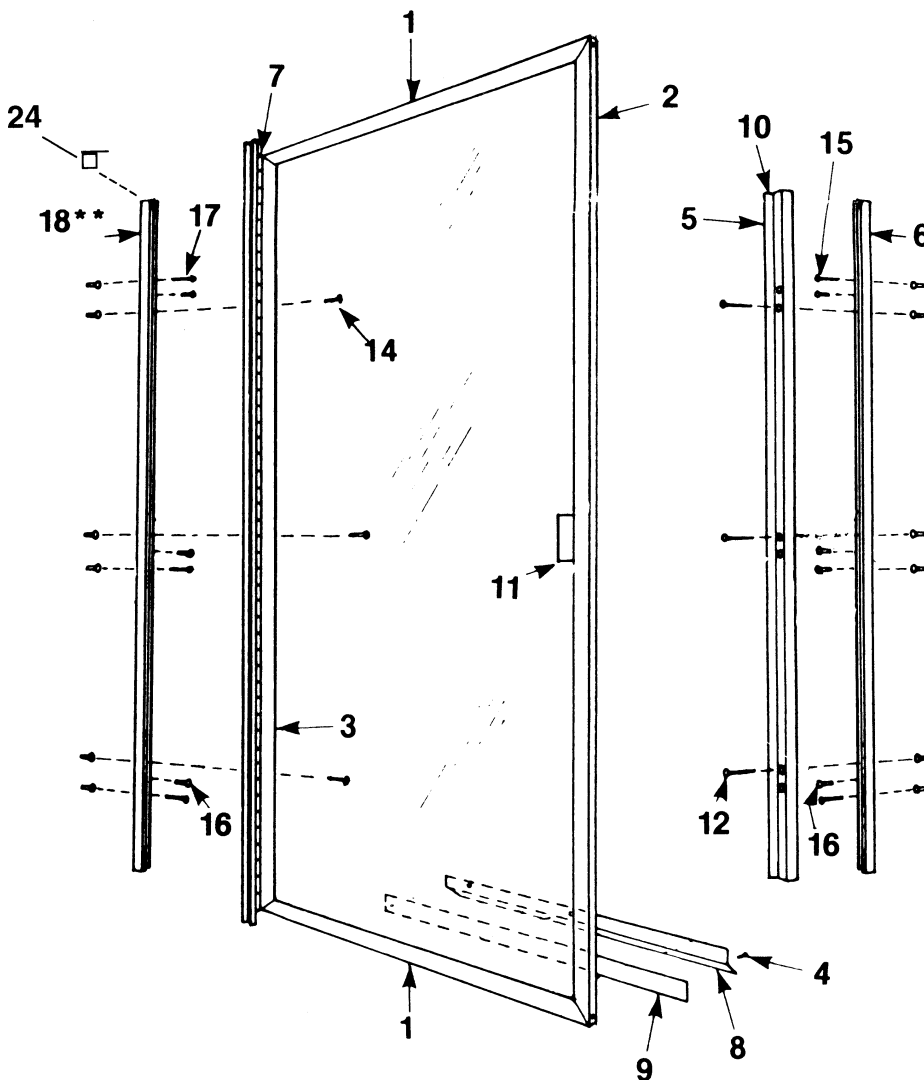
IMPORTANT: Record the Model No. (see carton) of your shower door for future reference. Model No. _____.

READ THE INSTRUCTIONS CAREFULLY, familiarize yourself with all the parts as shown in the exploded view. The exploded view will also provide a helpful reference when relating the location of the various parts and how they are mounted.

TOOLS AND MATERIALS NEEDED:

Tape Measure, Electric Drill, Level, Flat and Phillips Screwdrivers, Drill Bit (3/16"), Hacksaw, Caulk (silicone recommended).

Tryton* & Pacer



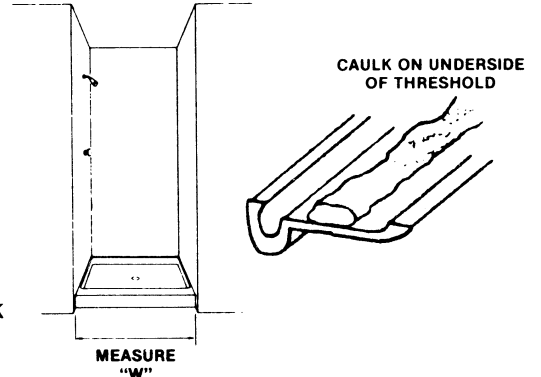
*Tryton has one towel bar on outside.

**Hinge adjustment rail not used on Model #824, 828

NOTE: All instructions are for **both** Tryton and Pacer models except where noted.

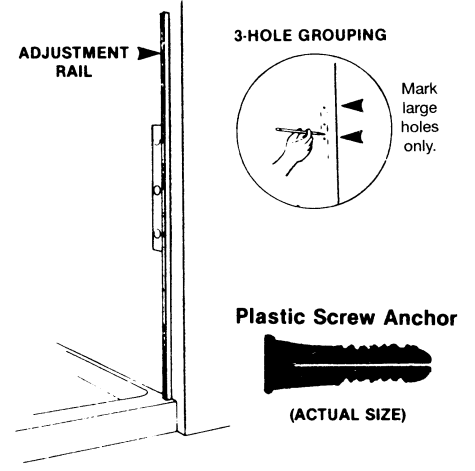
1

Measure distance "W" on the center of the shower base ledge. Cut the threshold 1/16" shorter than "W" for clearance. After you have drilled the wall holes (see Step 2) wipe up dust and then apply a thick bead of caulk to underside of threshold and place on center of shower base ledge with the high edge to the outside.

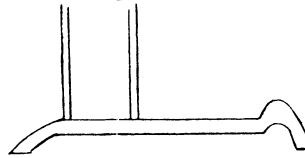


2

Position each adjustment rail on opposite ends of the shower walls on the inside edge of the threshold, use level to plumb; and mark location of holes for drilling. The strike adjustment rail should be located on the wall closest to the showerhead. The adjustment rails have three 3-hole groupings. Only the two larger holes on each group should be marked for drilling, Drill 3/16" diameter holes and insert one plastic screw anchor in each hole. **NOTE:** When installation is on fiberglass shower stall, it may be necessary to file a radius on the bottom of the adjustment rail and strike and hinge jamb to match the corner radius of the fiberglass unit. (Use 1" flat file). On fiberglass or plastic walls use a 1/8" drill bit and do not use the screw anchors.

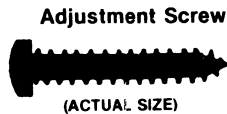
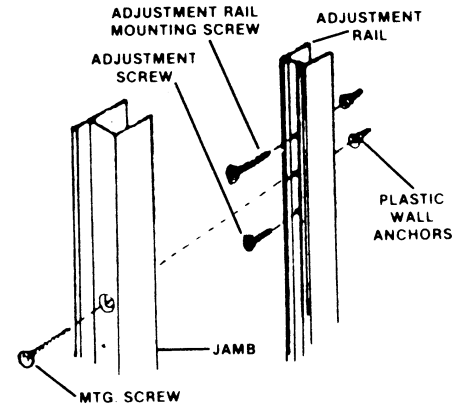


Inside Edge



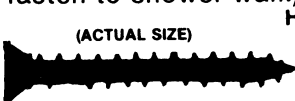
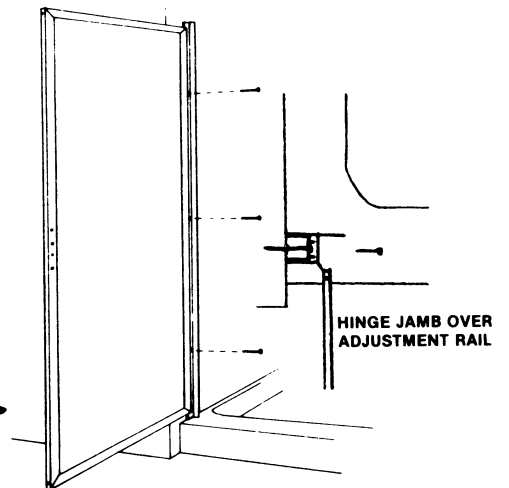
3

Before fastening adjustment rails to walls with mounting screws, match holes in strike jamb with holes in the strike side adjustment rail to determine which mounting hole is for the strike side adjustment rail only. Remove strike jamb and after inserting adjustment rail mounting screws insert adjustment screw all the way into the adjustment rails. (The small hole of each 3-hole grouping.) Do the same for the hinge side adjustment rail with the hinge jamb.



4

The hinge jamb should be installed on the wall OPPOSITE the showerhead. Fasten hinge jamb and door assembly over the adjustment rail using same procedure as above. (For models #824 & 828, set the jamb — with door in open position — in the center of the threshold, plumb, mark location of holes, drill and insert screw anchors and fasten to shower wall.)



Hinge Jamb Mounting Screws

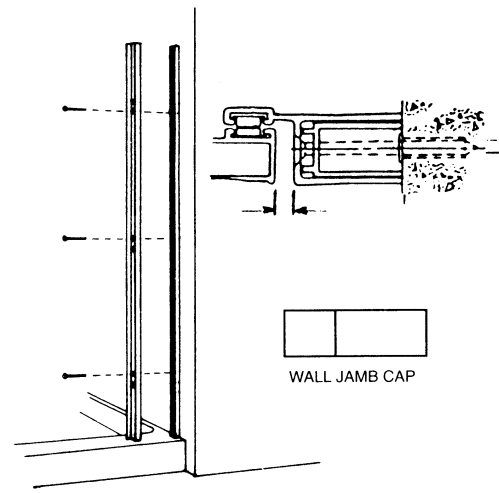
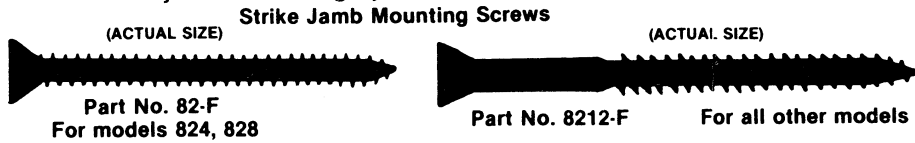


Part No. 8112-F For Models 824, 828

Part No. 8212-F For all other models

5

Place the magnetic jamb over the adjustment rail with magnetic strip facing to the outside of the shower. Close the door and adjust the magnetic jamb to allow 1/8" to 1/4" clearance between the jamb and the door panel. Secure strike jamb to wall using screws provided. Adjust strike and hinge jambs for proper clearance or for out-of-plumb wall condition by turning adjustment screws as required. Then mount strike jamb and hinge jamb with mounting screws.

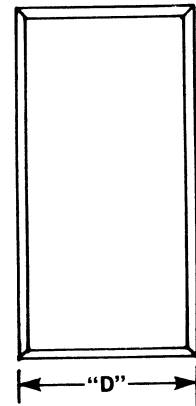


NOTE: On a rare occurrence the magnetic poles may be reversed on the magnetic jamb at time of assembly. If this occurs, simply slide the magnetic strip out of the channel and insert the opposite end first to allow proper contact on the magnet.

Snap wall jamb cap into top of adjustment rail and trim to size. When using narrow strike, cut at mark with utility knife.

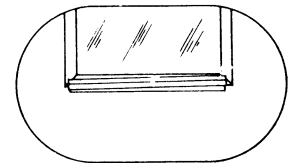
6

Cut the drip rail 1" shorter than the length of the door bottom frame "D". For best results use a 32 tooth hacksaw blade and a miter box.



7

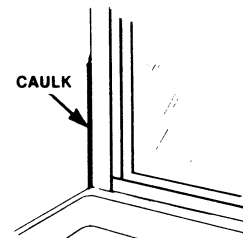
Wipe off door bottom frame with clean rag. Cut the vinyl sweep the same length as the drip rail and slide it into the groove on the underside of the drip rail. Position the drip rail on the inside of the door bottom frame 1/8" up from the bottom edge and set 1/2" from each outside edge. The drip rail should be adjusted so that it angles down toward the hinge jamb and does not hit the threshold or the door jambs when the door is closed. Mark location and then remove backing from tape and press drip rail in place. Insert plastic plug in the drip rail opposite the hinge side to allow the water to drain back into the shower.



NOTE: Drip rail should **not** be removed after it has been set in position as the tape may tear.

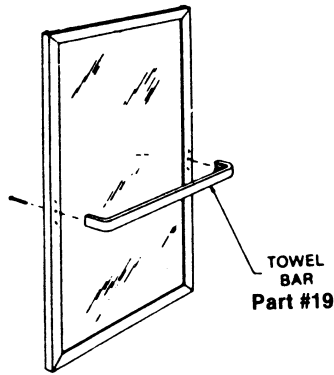
8

Caulk along the inside of the wall jambs on each side.



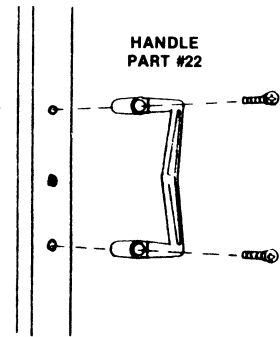
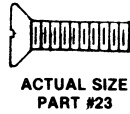
9 (Tryton only)

Install towel bar on outside of door with two screws as shown.



10 (Tryton only)

Install inside door handle with screws provided.



KEY NO.	PART NAME	PART NO. (TRYTON 900 Series)	PART NO. (PACER 800 Series)
1	Top/Bottom Frame	EX103	1393
2	Side Frame — Strike Side	EX103M	1393M
3	Side Frame — Hinge Side	EX103	1393
4	Drip Rail Plug	DCP1	DCP1
5	Strike Jamb (824 & 828 use EX 121M)	EX123M	EX123M
6	Strike Adjustment Rail (824 & 828 use EX 120)	EX122	EX122
7	Hinge	61	61
8	Drip Rail	2482	2482
9	Vinyl Strip	PVS2	PVS2
10	Magnet — Strike Jamb	MS-1	MS-1
11	Handle	—	4885
12	Mtg. Screw — Strike Jamb	See Step 4	See Step 4
13	Plastic Screw Anchor	PSA-1	PSA-1
14	Mtg. Screw — Hinge Jamb	See Step 3	See Step 3
15	Mtg. Screw — Strike Adj. Rail	82-F	82-F
16	Adjustment Screw	81-P	81-P
17	Mtg. Screw — Hinge Adj. Rail	82-P	82-P
18	Hinge Adjustment Rail	EX122	EX122
19	Towel Bar	1398	—
20	Screw — Towel Bar	81-F	—
21	Threshold	8105	8105
22	Inside Handle	E9009	—
23	Screw — Handle	832-118	—
24	Wall Jamb Cap	WJC	WJC

HOW TO ORDER REPLACEMENT PARTS

Always give the following information:

- A. Part Name
- B. Part Number
- C. Part Description
(Length, Size, Color, etc.)
- D. Model Number



Shower-Rite Division
 7519 South Greenwood Avenue
 Chicago, IL 60619
 (773) 483-5400 or
 (800) 925-9131
 FAX: (773) 483-5409
 Website: www.showerite.com

HOW TO CARE FOR YOUR ENCLOSURE

Never use scouring powder, pads or sharp instruments on metal or glass panels. An occasional wiping down with mild detergent diluted in water is all that is needed to keep the panels and anodized aluminum parts looking new. The use of squeegee following each shower is recommended to eliminate water spots on the inside of the glass panels.